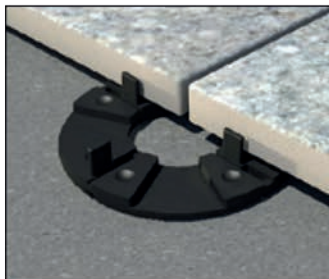
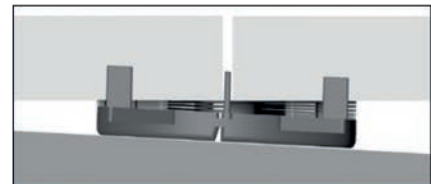




With this pedestal a balancing or decrease of the slope and a levelling of irregularities e.g. outflows, weld seams and much more is possible. The desired height or slope compensation is achieved by stacking the pedestal in 1cm increments. The fine leveling can be made separately in 1 mm increments on every corner of the slab. This ensures that the slab lies strong and full.

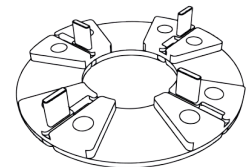
**A variable mm-construction of every slab corner ensures:**

- an individual slope compensation
- a levelling of irregularities e.g. weld seams
- a levelling of variable slab thickness



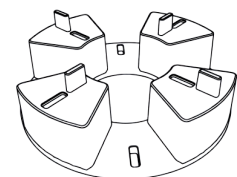
**Terra Level 1 cm (stackable)**

Terra Level pedestal 1 cm can be layed on every sealing foil. The very tough special plastic does not harden and reduces footfall sound. TERRA LEVEL pedestals are stackable and the system allows an adjustment from 1 cm up to 20 cm.



**Terra Level bloc 3 cm (stackable)**

Terra Level block 3 cm was constructed to save time and costs. The bloc can be used from a minimum raising height of 5 cm and has to be completed at the top and the bottom by TERRA LEVEL 1 cm to guarantee anti-slipping conditions.



**Terra Level adjusting-shim 1 mm (stackable)**

Terra Level adjusting-shim 1 mm allows easy levelling. Different slab thicknesses, irregularities of the underground as well as a slope can be adjusted on every corner of the slab.



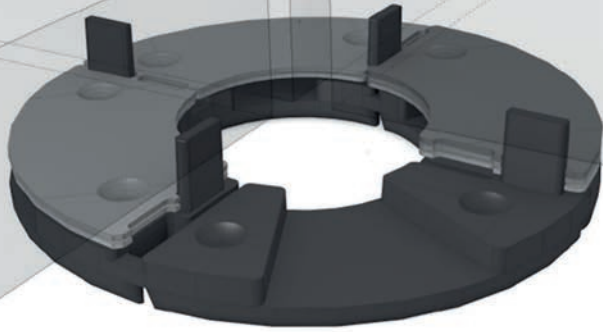
**Victoria**  
1 Freighter Road  
Moorabbin VIC 3189  
03 8552 6000

**New South Wales**  
20 Yulong Close  
Moorebank NSW 2170  
02 9822 5155

**Queensland**  
26 Wrights Place  
Arundel QLD 4214  
07 5537 3222

**South Australia**  
22 Richard Street  
Hindmarsh SA 5007  
08 8340 2877

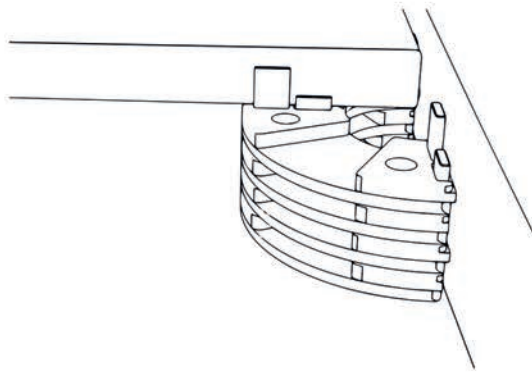
**Western Australia**  
231 Camboon Road  
Malaga WA 6090  
08 6240 2200



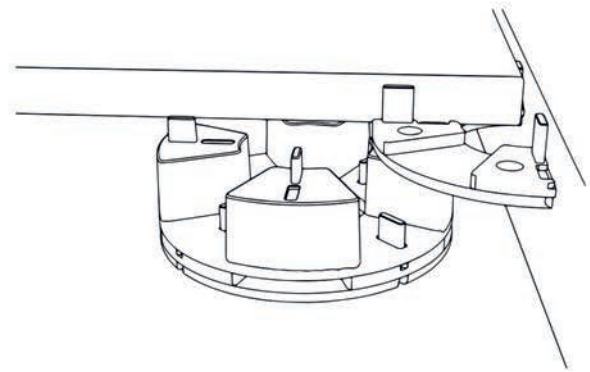
A variable mm-construction of every slab corner ensures:

- an individual slope compensation
- a levelling of irregularities e.g. weld seams
- a levelling of variable slab thickness

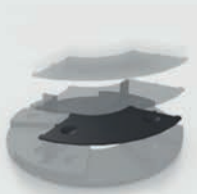
Edge solution to 4 cm total height



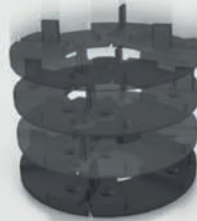
Edge solution from 5 cm total height



Construction variants



from 1cm



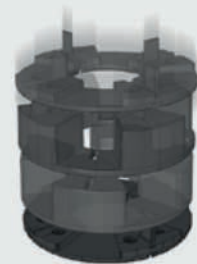
1 - 4cm



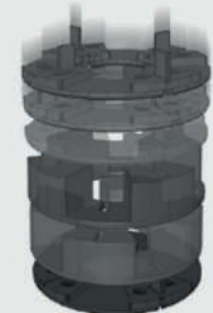
from 5cm



5 - 7cm



from 8cm



8 - 10cm