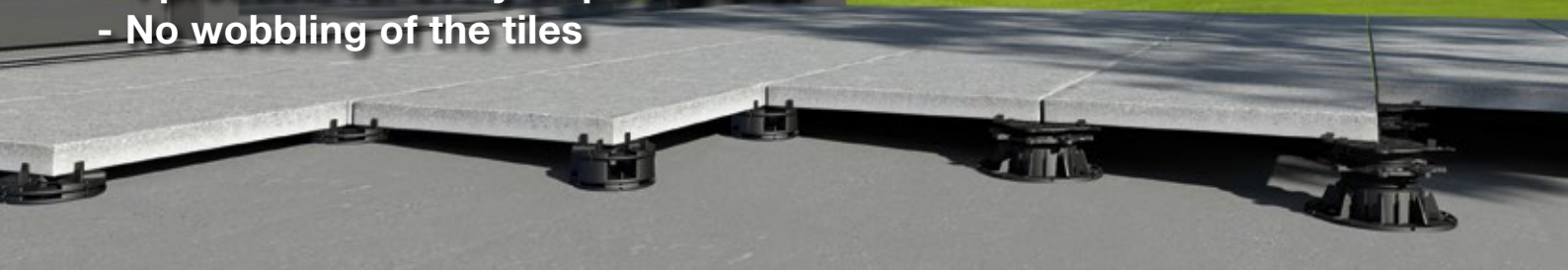


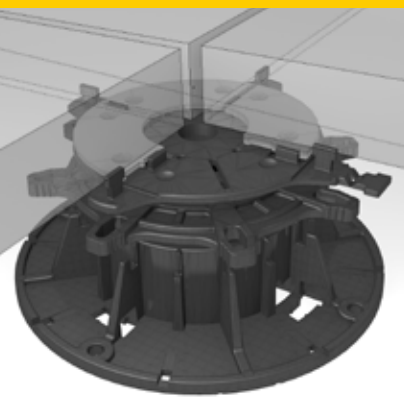
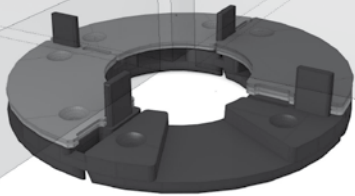
the way you lay...

- Tile supports from 1 cm to 103 cm
- 4 products for every slope situation
- No wobbling of the tiles



A variable mm-construction of every tile corner ensures:

- Individual slope compensation
- Levelling of unevenness e.g. welding seams
- Compensation for differing tile thicknesses

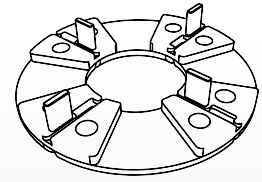


Products

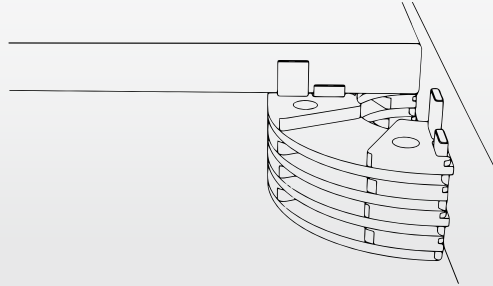
TL1 tile supports 1 cm



TL1 tile supports 1 cm can be laid on any kind of sealing foil. The tough but soft special plastic composite does not harden and reduces footfall sound. TL1 are stackable and can be used for raising heights from 1 cm to more than 20 cm.



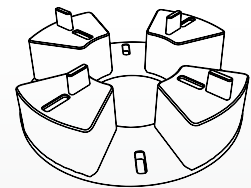
Edge solutions for raising height by up to 4 cm



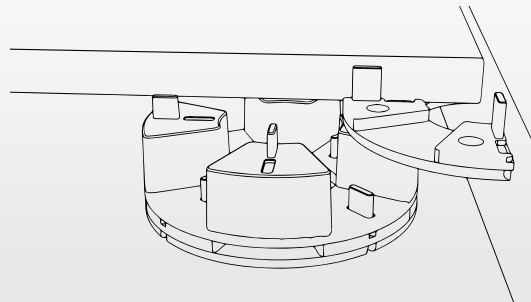
TL2 block 3 cm



TL2 block 3 cm was designed to speed up working processes and save costs. A TL1 must be placed underneath and on top of the block, which means it can only be used from a raised height of 5 cm onwards.



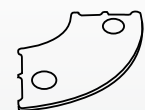
Edge solutions from 5 cm raising height



TL 3 adjusting shims 1 mm



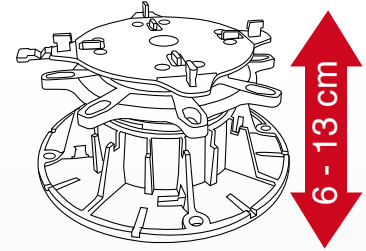
Terra Level adjusting shims 1 mm allows easy levelling. Differing tile thicknesses, unevenness of the ground or flooring and a slight slope can be compensated for by up to 10 mm per tile corner.



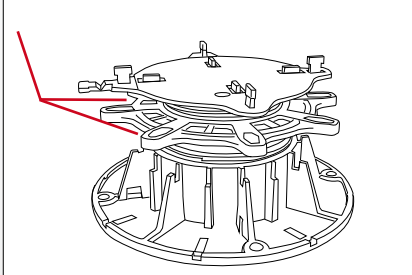
TL4 tile supports 6 cm to 13 cm



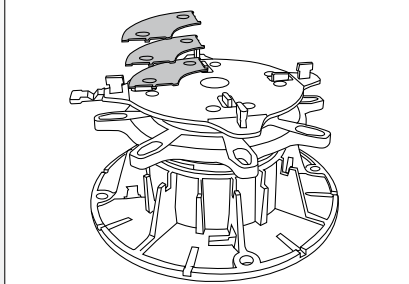
TL4 tile supports 6 cm to 13 cm is adjusted by means of an adjustment ring and two opposing threads. If necessary, fine adjustment and slope compensation is completed using the TL3 adjustment shims 1 mm. For raising heights just over 13 cm, TL1 tile supports 1 cm, TL2 blocks 3 cm and TL3 adjustment shims 1 mm can all be used for the construction. By stacking two or more TL4 on top of one another, all raising heights from 6 cm to 52 cm can be achieved.



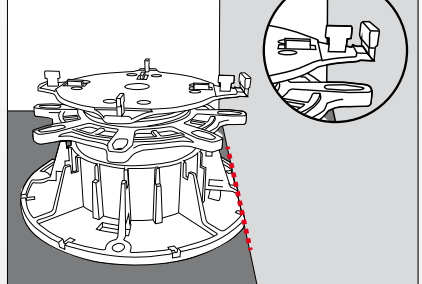
Screwing protection



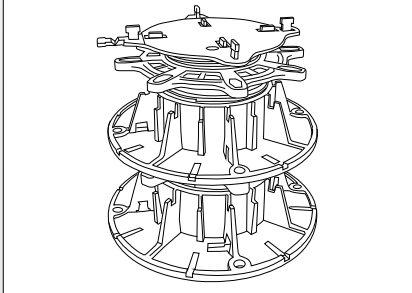
Precise levelling adjustment



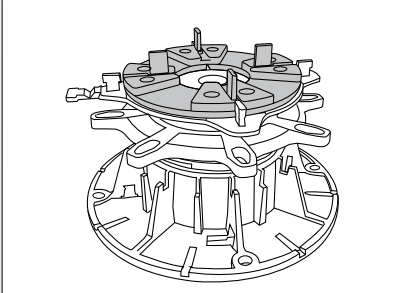
Edge solution



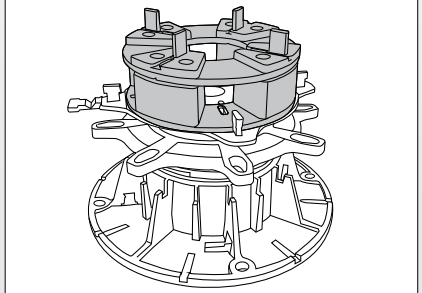
Individual stacking with locking



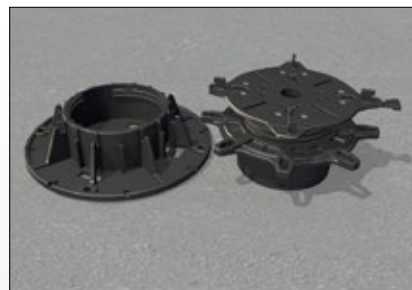
Construction variant



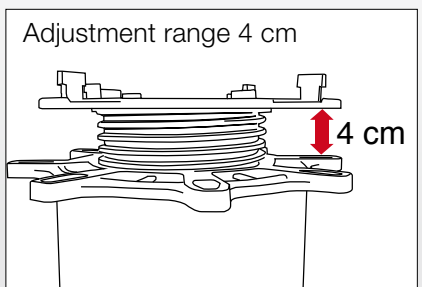
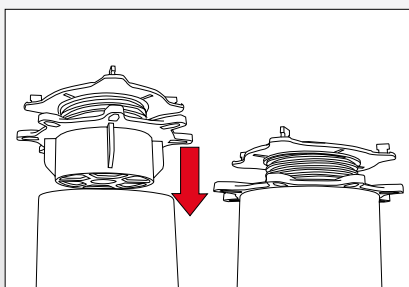
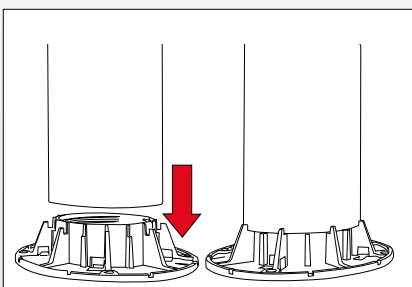
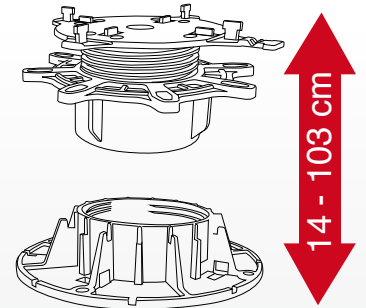
Construction variant



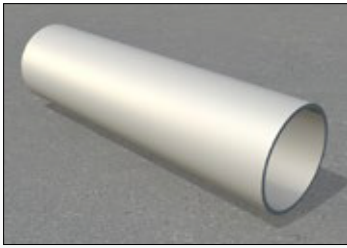
TL5 tile supports 14 cm to more than 103 cm



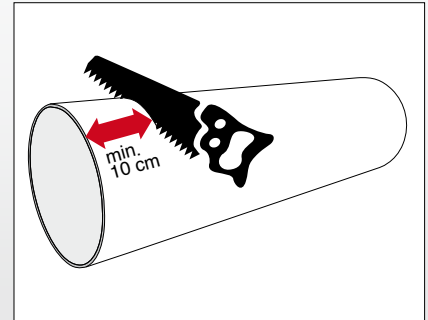
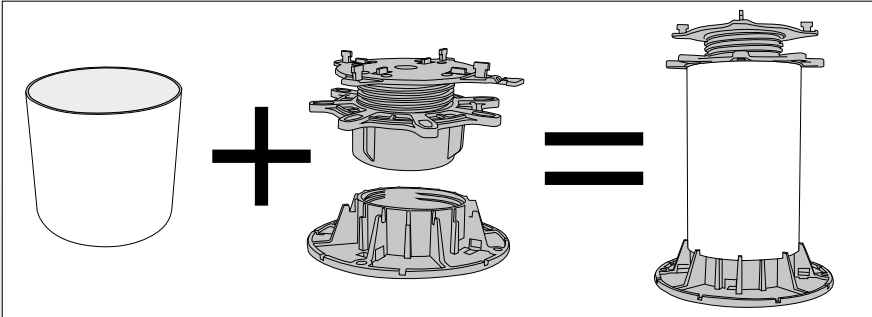
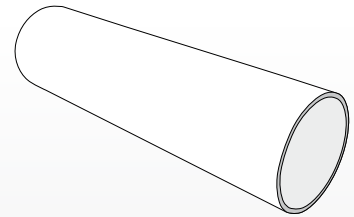
TL5 tile supports from 14 cm up to 103 cm offer the same features as TL4 but can only be used in conjunction with TL6 coupling tubes. TL6 is cut to the required length and inserted into the guides at the top and bottom. The support disc can be adjusted by a further 4 cm by screwing. TL5 was designed to speed up working processes and save costs.



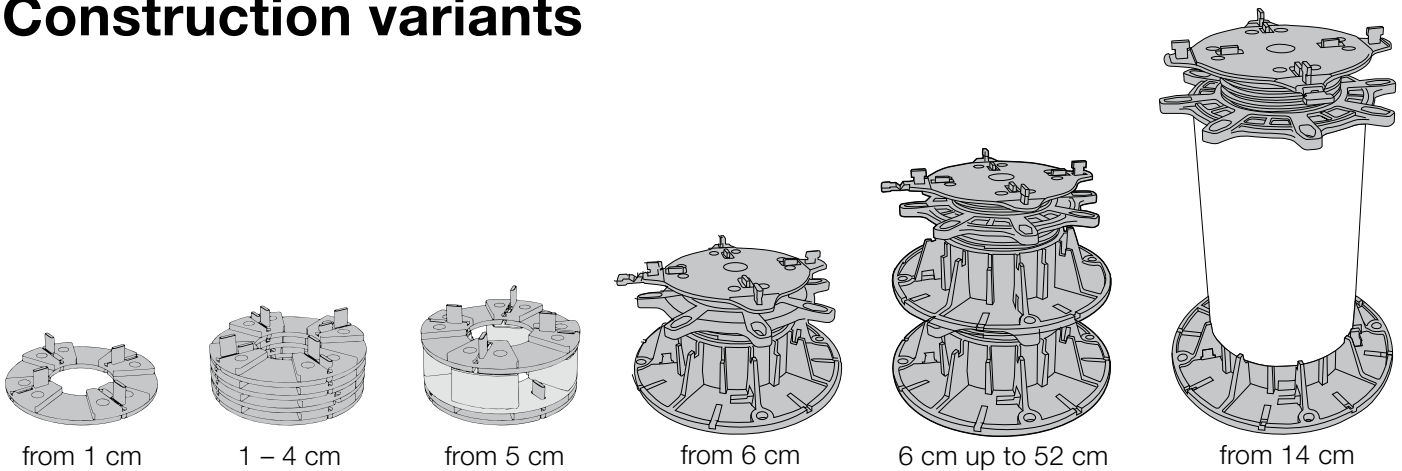
TL6 coupling tube 100 cm



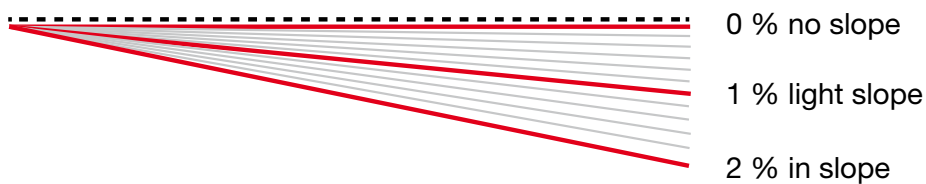
TL6 coupling tube 100 cm can only be used with TL5. A mitre saw with fence is recommended for cutting. Before shortening, 4 cm must be subtracted from the required raising height (due to guide).



Construction variants



Slope variants



Slopes of more than 10% can be compensated

